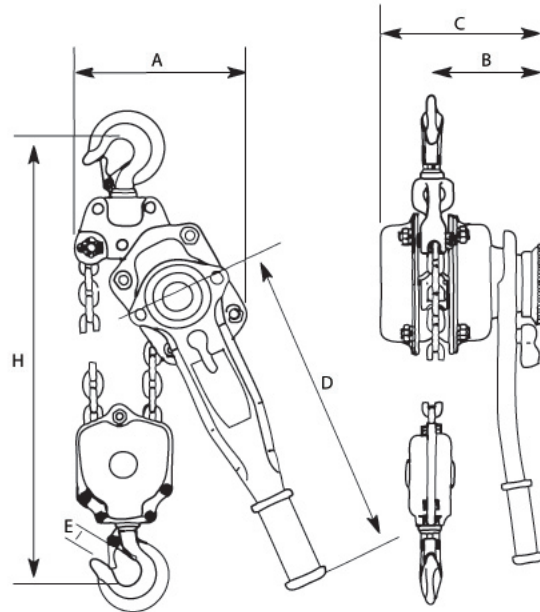


PACIFIC LEVER BLOCKS

Dimensions



Rated Capacity kg	250	500	750	1500	3000	6000	9000
Dimensions mm A	92	110	149	171	204	204	200
B	71	84	89	102	114	114	112
C	70	125	128	145	203	243	338
D	168	308	308	408	388	418	418
E	20	23	26	36	44	50	53
Headroom H	245	310	310	385	460	600	770

Specifications

Rated Capacity	kg	250	500	1000	1500	3000	6000	9000
Stock Code		PLB202	PLB205	PLB207	PLB215	PLB230	PLB260	PLB290
Standard Lift	m	1	1.5	1.5	1.5	1.5	1.5	1.5
Pull to Lift Load	kg	29	32	23	30	39	40	43
Chain Diametre	mm	4.0x12	5.0x15	5.6x17	7.1x21	10x28	10X28	10x28
Net Weight	kg	2.1	4.8	6.2	9.5	20.2	32	49
No. of falls		1	1	1	1	1	2	3

Lever Blocks with customised lifts heights also available



43 SPENCER STREET, JANDAKOT WA 6164 TEL: (08) 9417 9128 FAX: (08) 9417 4105
 EMAIL: INFO@VECTORLIFTING.COM.AU WEBSITE: WWW.VECTORLIFTING.COM.AU