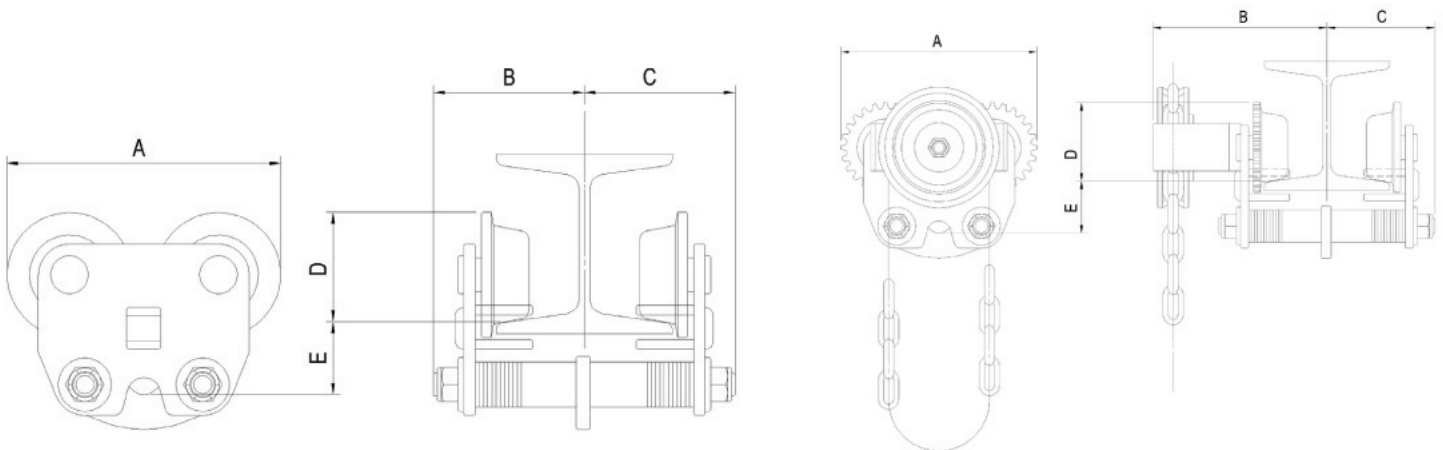


# PACIFIC GIRDER TROLLEYS SERIES 1

## Dimensions & Specifications

Model	PPT105	PPT110	PPT120	PPT130	PPT150	PPT160
Rated Capacity kg	500	1000	2000	3000	5000	10000
Track width mm	62-170	62-203	90-215	107-210	107-210	160-310
Min Curve Radius m	0.8	1.0	1.5	1.7	1.7	2.7
A	179	217	281	315	315	399
B	131	151	162	176	179	253.5
C	132	153	164	176	179	253.5
D	68	76	106.5	123	123	167
E	51.5	69	83	125.5	125.5	172
Net weight kg	6.06	10.88	19.12	34.96	36.3	118
Gross Weight kg	6.4	11.32	19.88	36.22	37.7	133



Push Trolley

Geared Trolley

Model	PGT105	PGT110	PGT120	PT130	PGT150	PGT160
Rated Capacity kg	500	1000	2000	3000	5000	10000
Track width mm	62-170	62-203	90-215	107-210	107-210	160-310
Min Curve Radius m	0.8	1.0	1.5	1.7	1.7	2.7
A	179	238	303	332	332	399
B	190	206	212.5	210.5	210.5	335.5
C	132	153	164	176	179	253.5
D	68	87	117.5	131	131	167
E	51.5	69	83	125.5	125.5	172
Net weight kg	9.8	15.08	24.44	40.3	42.1	131
Gross Weight kg	10.4	15.75	25.32	41.64	43.5	148

\*Additional beam widths available on request



43 SPENCER STREET, JANDAKOT WA 6164 TEL: (08) 9417 9128 FAX: (08) 9417 4105  
 EMAIL: INFO@VECTORLIFTING.COM.AU WEBSITE: WWW.VECTORLIFTING.COM.AU