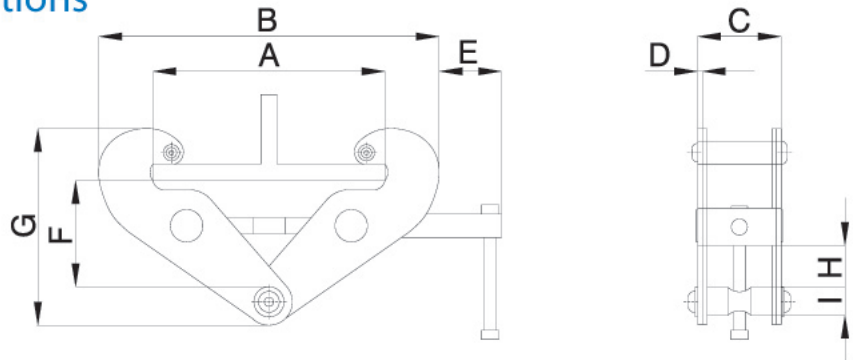


PACIFIC GIRDER CLAMP

Dimensions & Specifications



Pacific Girder Clamp

Rated Capacity	kg	1000	2000	3000	5000	10000
Stock Code		PGC310	PGC320	PGC330	PGC350	PGC390
Net Weight	kg	3.5	4.5	9.5	11	16
Dimensions	mm					
	A	270	270	365	365	365
	B	375	375	520	520	520
	C	66	74	103	111	120
	D	4	6	8	10	12
	E	210	210	258	258	280
	F	165	165	225	225	230
	G	25	25	45	45	50
beam width range	mm	70-245	70-245	70-355	70-355	80-355

Pacific Pipe Trolley

Rated Capacity	kg	300
Stock Code		PPT203
Net weight	kg	2.5
Pipe diameter	mm	60
Dimensions	mm	
	A	147.5
	B	160
	C	22
	D	68
	E	160
	F	60
	G	17

