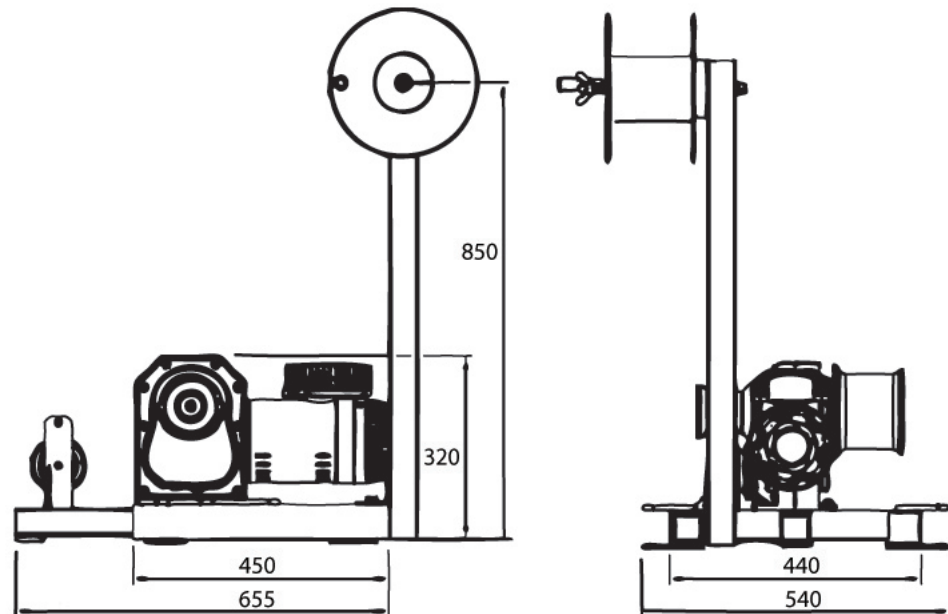



# PACIFIC CAPSTAN WINCH

## Dimensions



## Specifications

Model	H-2500
Stock Code	CAP250
Pulling capacity kg	1500 / 2500
Max pulling duration min	15
Speed m/min	4.0 / 2.5
Control	Foot Control
Gear Ratio	154:1
Net Weight kg	60

 A minimum of six (6) wraps of rope around the drum is necessary to support the rated load.

Do not use the Capstan Winch as a lifting device or for vertical lifting

