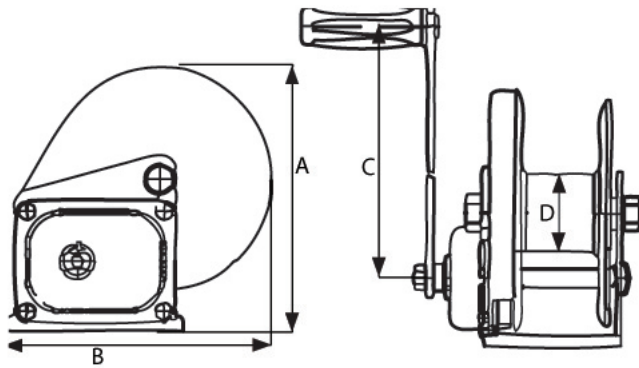


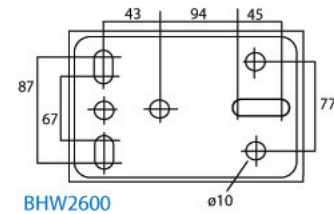
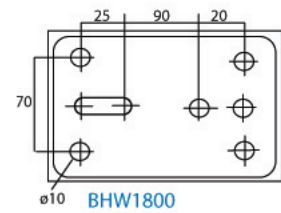
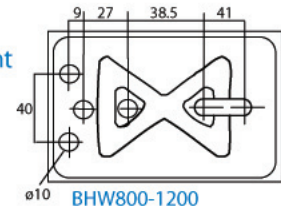
PACIFIC BRAKE HAND WINCHES

Dimensions



TYPE	BWH800	BWH1200	BWH1800	BWH2600
A	160	160	204	217
B	150	150	245	295
C	160	160	300	300
D	50	50	70	82

Hole Alignment



Specifications

Model	BWH800	BWH1200	BWH1800	BWH2600	SF2200	HW1500
Capacity Pull-Lift kg	370-180	545-270	820-410	1200-600	1700-850	680
Hand force required kg	14.5	15	22	19	16	4.5
Gear Ratio	4.1:1	4.1:1	5.1	10.1	22.2:1	41:1
Unit height A mm	160	160	204	217	214	161
Unit length B mm	150	190	245	295	238	173
Handle length C mm	160	210	320	320	300	195
Hub diameter D mm	Ø40	Ø50	Ø70	Ø80	Ø60	Ø48
Base Plate wxl mm	89x138	89x138	107x193	127x270	238 X 223	153 X 130
Unit weight kg	3	3.3	8	10.3	13.5	4.9
Wire Rope ømmxm	Ø4x36	Ø5x23	Ø7x24	Ø8x18	Ø8	Ø4
Finish - Powder coated	√	√	√	√	√	√
Finish - Stainless steel	-	√	√	√	-	-
Finish - Noiseless	-	√	-	-	-	-

