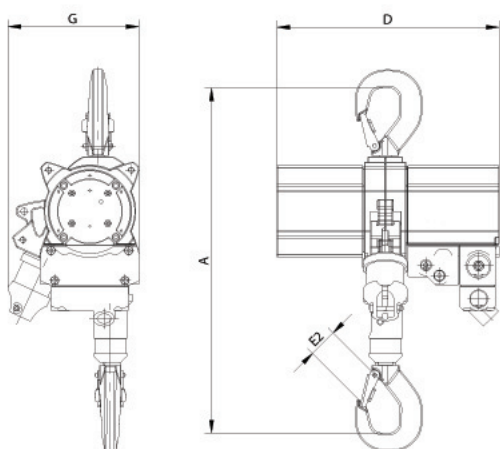


JDN AIR HOIST

Dimensions and Specifications



Model	0.5Ti	1Ti	2Ti	3Ti	6Ti	10Ti	16Ti	20Ti
Dimensions mm D	297	297	297	483	483	575	692	692
G	176	176	176	233	233	306	306	315
E2	28	28	28	30	40	44	53	75
Headroom A	450	450	498	593	674	813	893	1090

Model	0.5Ti	1Ti	2Ti	3Ti	6Ti	10Ti	16Ti	20Ti
Rated Capacity tonne	0.5	1	2	3.2	6.3	10	16	20
Stock code	JDN705	JDN715	JDN725	JDN735	JDN765	JDN775	JDN785	JDN795
Weight at standard 3m lift kg	27	28	34	86	110	156	240	298
Motor output kW	1.0	1.0	1.0	3.5	3.5	3.5	3.5	2.5
Chain dimension mm	7x21	7x21	7x21	13x36	13x36	16x45	16x45	16x45
Air pressure bar	6	6	6	6	6	6	6	6
Air consumption at full load m ³ /min								
Lifting	1.2	1.2	1.2	3.2	3.2	3.2	3.2	2.9
Lowering	1.5	1.5	1.5	3.8	3.8	3.8	3.8	3.7
Air connection	G½	G½	G½	G¾	G¾	G¾	G¾	G¾
Lifting speed at full load m/min	11	5.5	2.7	5	2.5	1.6	1.0	0.55
Lowering speed at full load m/min	17	11	5.5	10.8	5.4	3.4	2.1	1.4

* Profi Range up to 100 tonne. Custom lift heights also available. Weight and headroom based on Profi standard model with rope control and no chain bucket.



43 SPENCER STREET, JANDAKOT WA 6164 TEL: (08) 9417 9128 FAX: (08) 9417 4105
 EMAIL: INFO@VECTORLIFTING.COM.AU WEBSITE: WWW.VECTORLIFTING.COM.AU